

# DHI Vessel Hull Data Sheets

## Data Sheets for Different Vessels



**DHI A/S headquarters**

Agern Allé 5  
DK-2970 Hørsholm  
Denmark

+45 4516 9200 Telephone

+45 4516 9333 Support

+45 4516 9292 Telefax

[mike@dhigroup.com](mailto:mike@dhigroup.com)

[www.mikepoweredbydhi.com](http://www.mikepoweredbydhi.com)

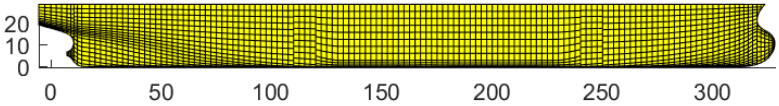
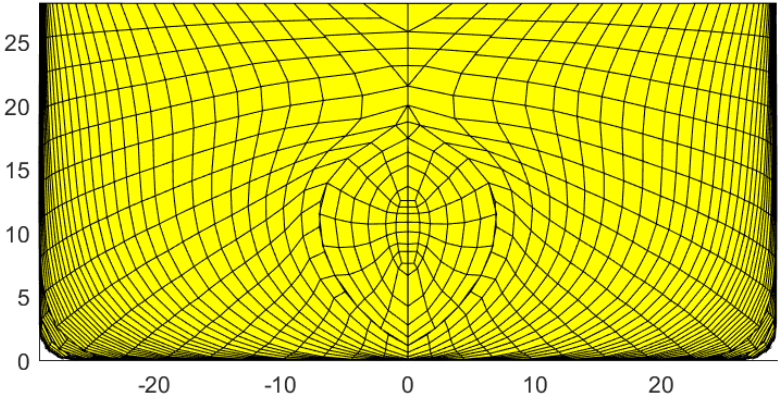
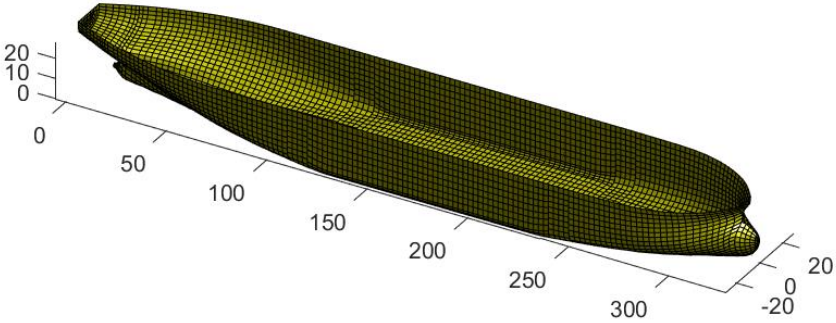
## CONTENTS

DHI Vessel Hull Data Sheets  
Data Sheets for Different Vessels

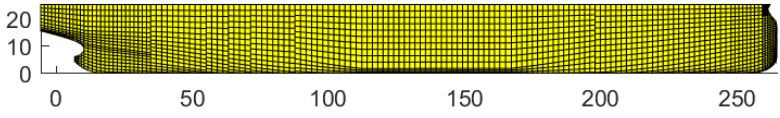
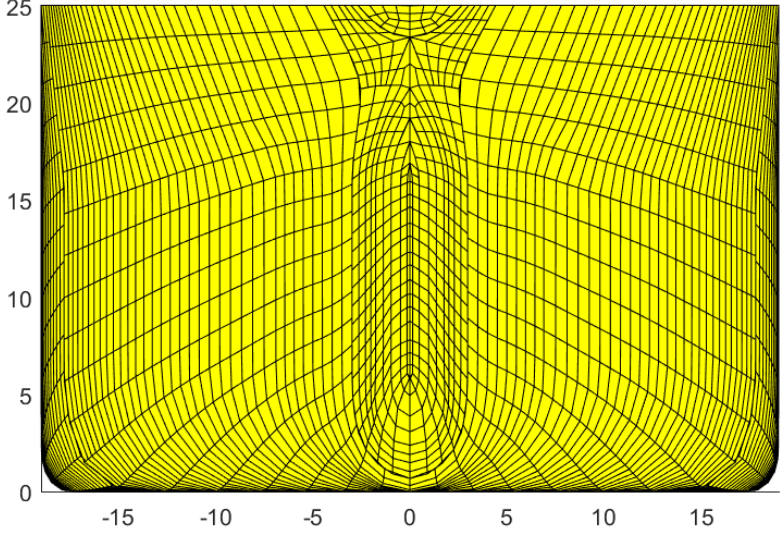
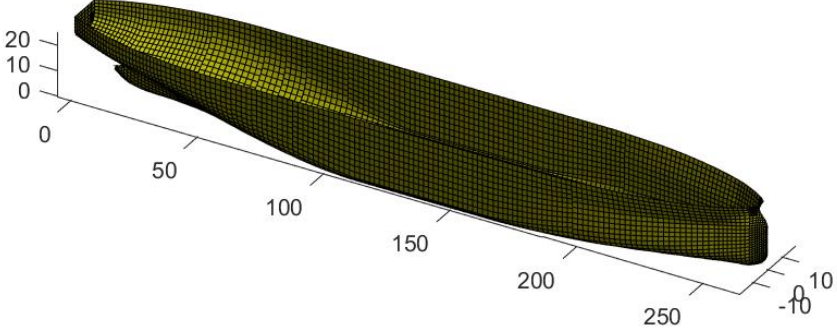
1	<b>Bulk Carrier 1 .....</b>	<b>1</b>
2	<b>Bulk Carrier 2 .....</b>	<b>2</b>
3	<b>Bulk Carrier 3 .....</b>	<b>3</b>
4	<b>Container 1 .....</b>	<b>4</b>
5	<b>Container 2 .....</b>	<b>5</b>
6	<b>Tanker 1 .....</b>	<b>6</b>
7	<b>Tanker 2 .....</b>	<b>7</b>
8	<b>Tanker 3 .....</b>	<b>8</b>
9	<b>Gas Carrier 1 .....</b>	<b>9</b>
10	<b>Passenger Vessel 1 .....</b>	<b>10</b>
11	<b>Passenger Vessel 2 .....</b>	<b>11</b>
12	<b>General Cargo 1 .....</b>	<b>12</b>



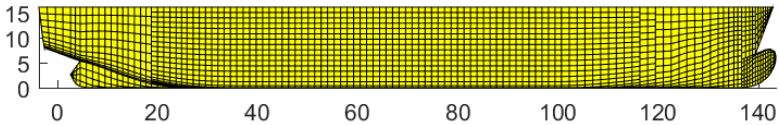
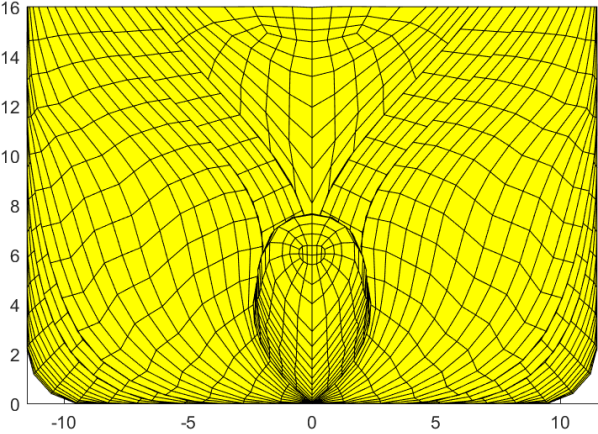
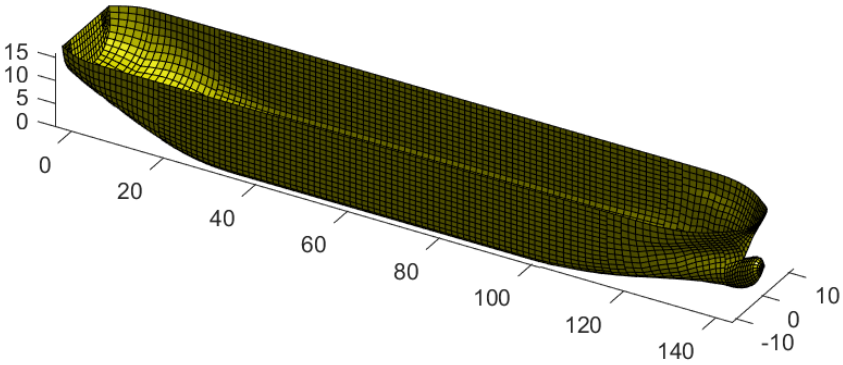
# 1 Bulk Carrier 1

Characterisation of Vessel for Wave Response Analysis	
Vessel Characteristics	Bulk Carrier 1
Hull Name	Bulk Carrier 1
Type	Bulk Carrier, Conventional Bow
LOA	333.6m
Beam	58.1m
Max Height	28m
Longitudinal Profile	
Lateral Profile	
3D View	
Date	November 2016.

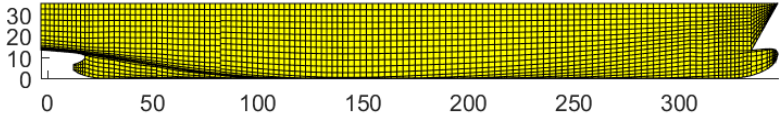
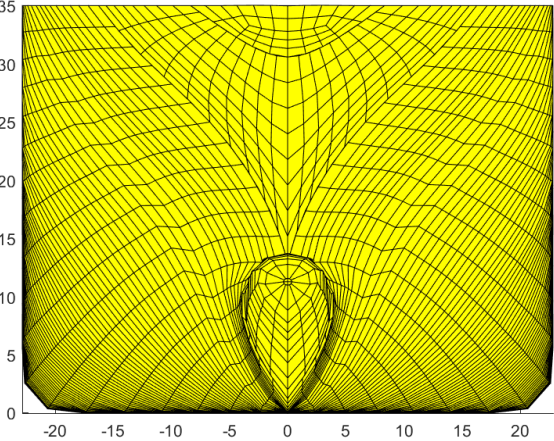
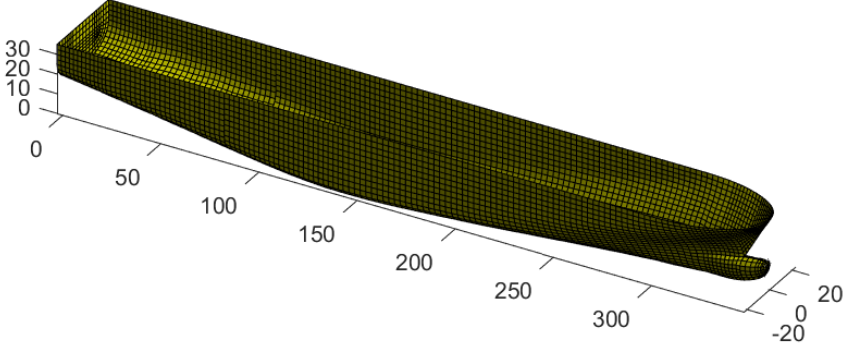
## 2 Bulk Carrier 2

Characterisation of Vessel for Wave Response Analysis	
Vessel Characteristics	Bulk Carrier 2
Hull Name	Bulk Carrier 2
Type	Bulk Carrier, Cylindrical Bow
LOA	269.98m
Beam	38.01m
Max Height	25.02m
Longitudinal Profile	
Lateral Profile	
3D View	
Date	November 2016.

### 3 Bulk Carrier 3

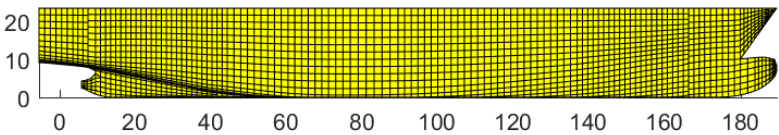
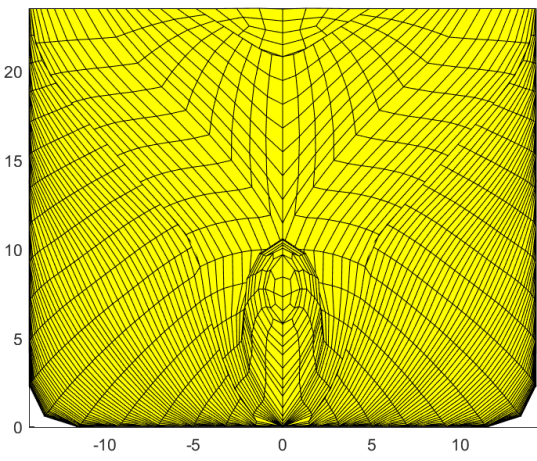
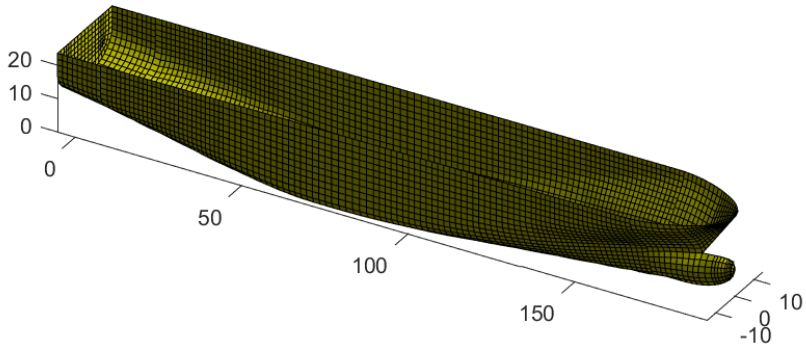
Characterisation of Vessel for Wave Response Analysis	
Vessel Characteristics	Bulk Carrier 3
Hull Name	Bulk Carrier 3
Type	Bulk Carrier, Conventional Bow
LOA	147m
Beam	23m
Max Height	16m
Longitudinal Profile	
Lateral Profile	
3D View	
Date	November 2016.

## 4 Container 1

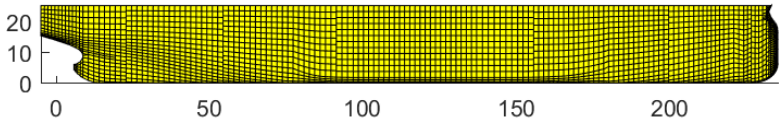
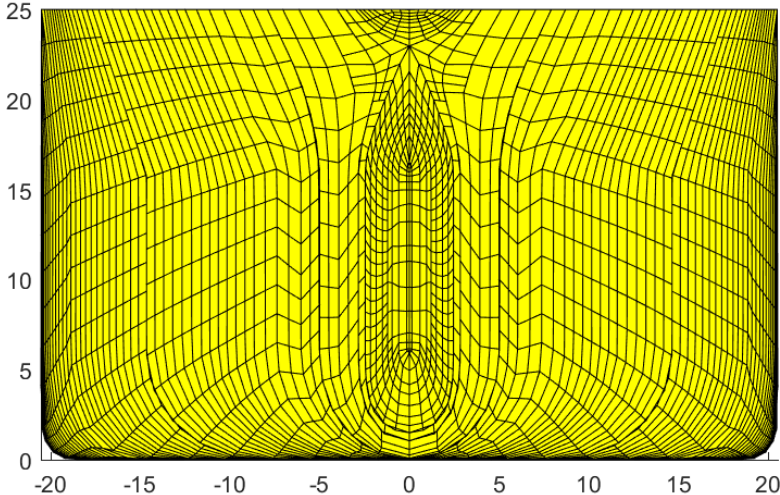
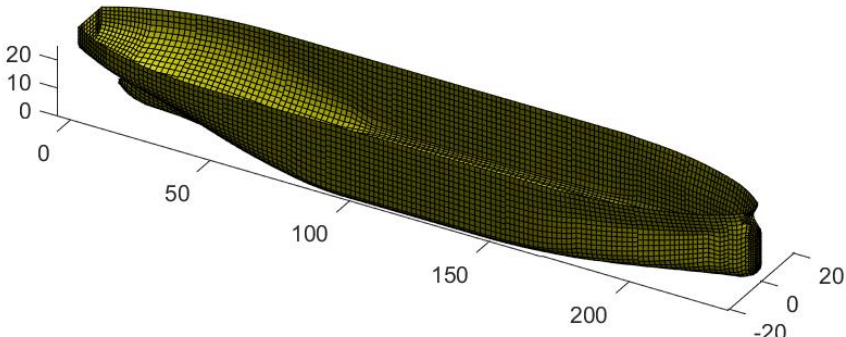
Characterisation of Vessel for Wave Response Analysis	
Vessel Characteristics	Container 1
Hull Name	Container 1
Type	Container
LOA	349.6m
Beam	45.6m
Moulded Depth	35.1m
Longitudinal Profile	
Lateral Profile	
3D View	
Date	November 2016.



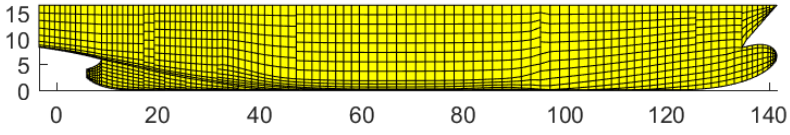
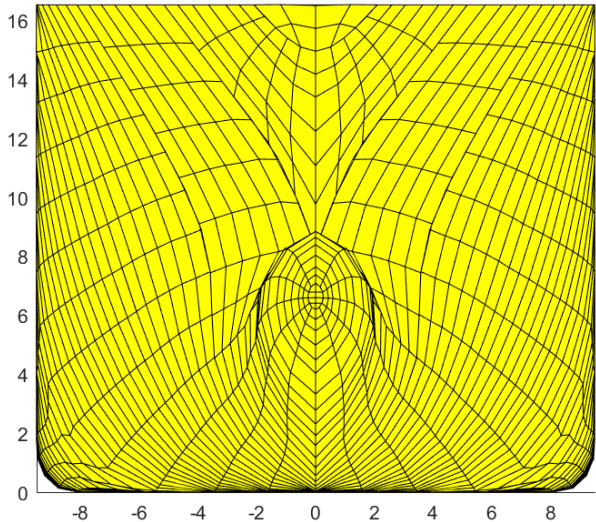
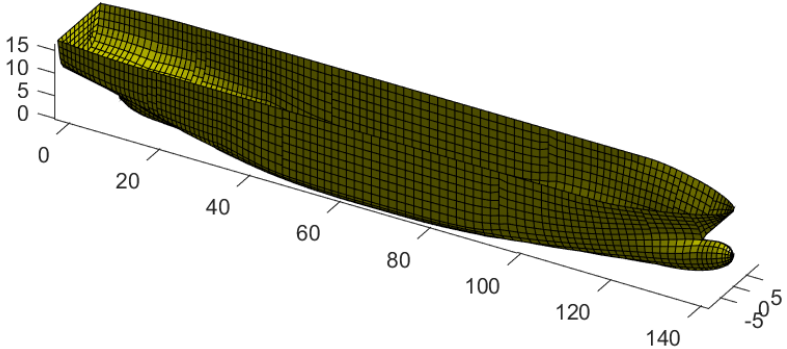
## 5 Container 2

Characterisation of Vessel for Wave Response Analysis	
Vessel Characteristics	Container 2
Hull Name	Container 2
Type	Container
LOA	195m
Beam	28.5m
Moulded Depth	23.5m
Longitudinal Profile	
Lateral Profile	
3D View	
Date	November 2016.

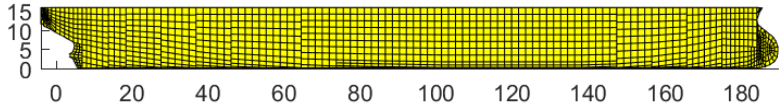
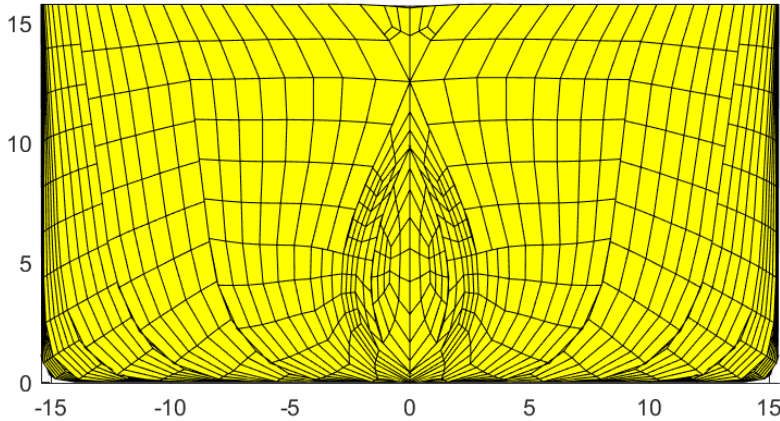
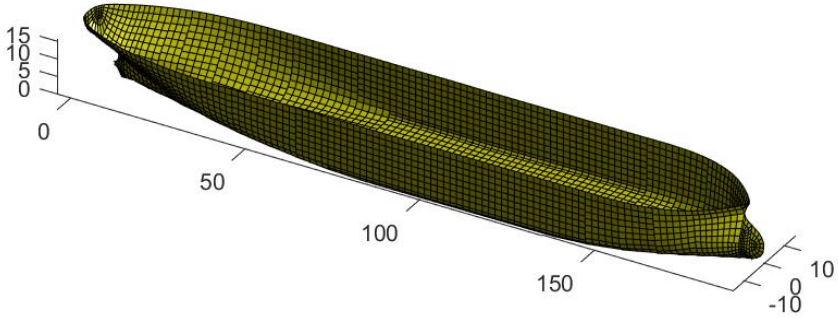
## 6 Tanker 1

Characterisation of Vessel for Wave Response Analysis	
Vessel Characteristics	Tanker 1
Hull Name	Tanker 1
Type	Tanker, Cylindrical Bow
LOA	239.1m
Beam	41.06m
Moulded Depth	25.02m
Longitudinal Profile	 <p>A 2D longitudinal profile of the tanker hull. The vertical axis represents depth in meters, ranging from 0 to 20. The horizontal axis represents length in meters, ranging from 0 to 200. The hull is shown as a yellow wireframe mesh, illustrating the cylindrical bow and the tapering of the hull towards the stern.</p>
Lateral Profile	 <p>A 2D lateral profile of the tanker hull. The vertical axis represents depth in meters, ranging from 0 to 25. The horizontal axis represents beam in meters, ranging from -20 to 20. The hull is shown as a yellow wireframe mesh, illustrating the cylindrical shape of the hull and the depth of the keel.</p>
3D View	 <p>A 3D perspective view of the tanker hull. The vertical axis represents depth in meters, ranging from 0 to 20. The horizontal axes represent length (0 to 200m) and beam (-20 to 20m). The hull is shown as a dark green wireframe mesh, providing a three-dimensional view of the vessel's structure.</p>
Date	November 2016.

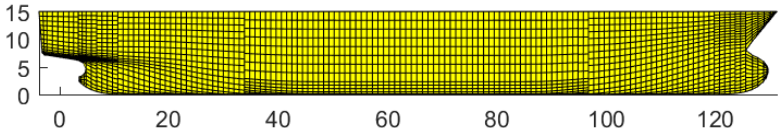
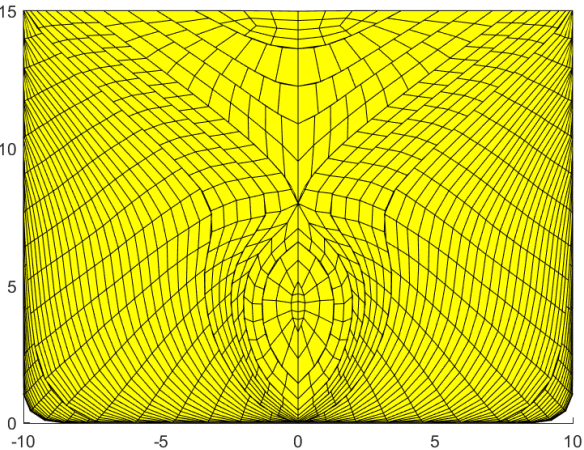
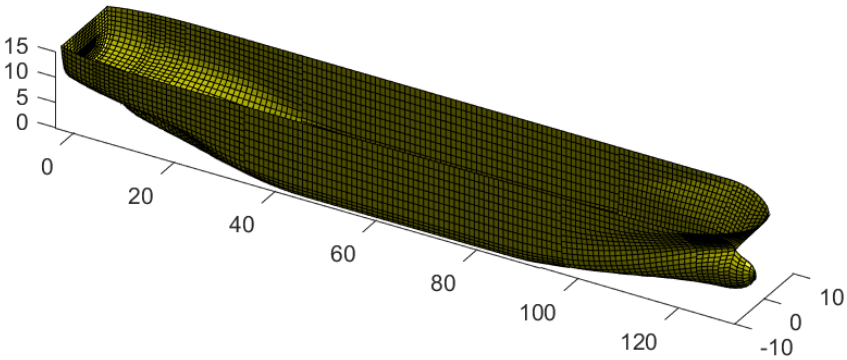
## 7 Tanker 2

Characterisation of Vessel for Wave Response Analysis	
Vessel Characteristics	Tanker 2
Hull Name	Tanker 2
Type	Tanker, Conventional Bow
LOA	144.1m
Beam	19.01m
Moulded Depth	16.54m
Longitudinal Profile	
Lateral Profile	
3D View	
Date	November 2016.

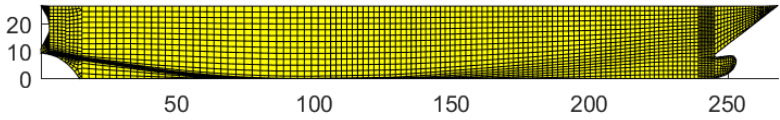
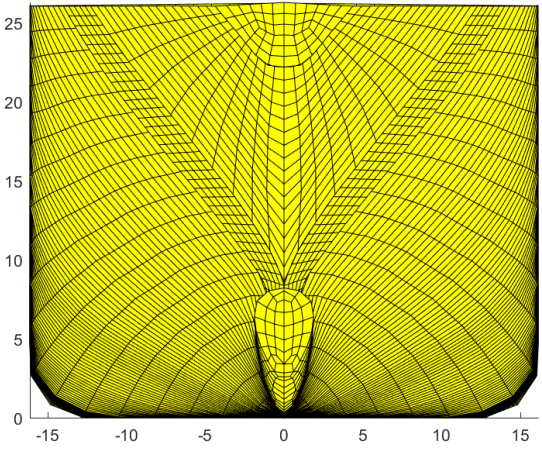
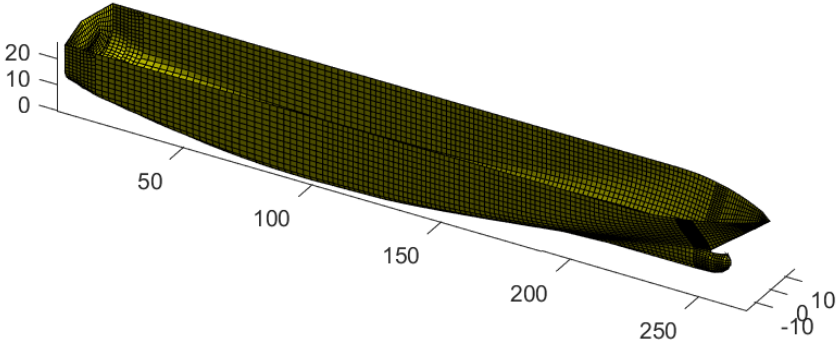
## 8 Tanker 3

Characterisation of Vessel for Wave Response Analysis	
Vessel Characteristics	Tanker 3
Hull Name	Tanker 3
Type	Tanker, Conventional Bow
LOA	193.4m
Beam	30.8m
Moulded Depth	15.8m
Longitudinal Profile	
Lateral Profile	
3D View	
Date	November 2016.

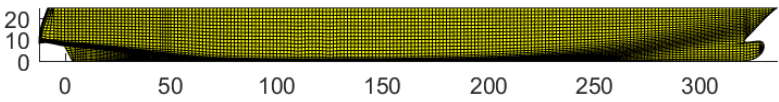
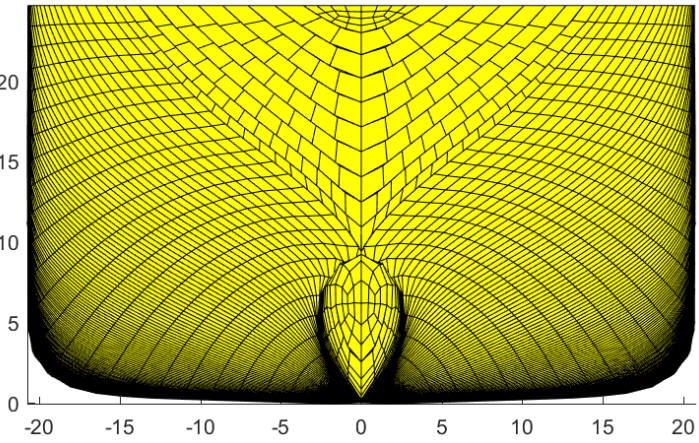
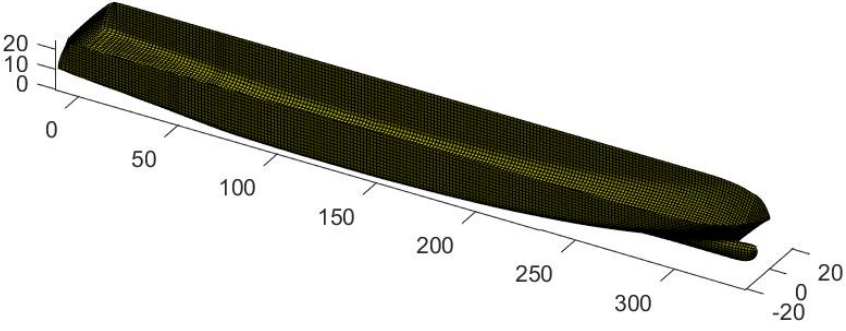
## 9 Gas Carrier 1

Characterisation of Vessel for Wave Response Analysis	
Vessel Characteristics	Gas Carrier 1
Hull Name	Gas Carrier 1
Type	Gas Carrier, LPG
LOA	134.8m
Beam	20m
Moulded Depth	15m
Longitudinal Profile	
Lateral Profile	
3D View	
Date	November 2016.

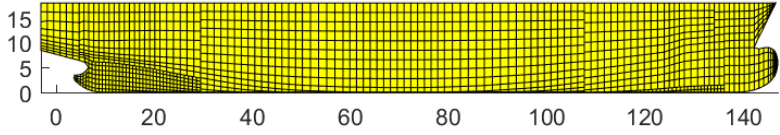
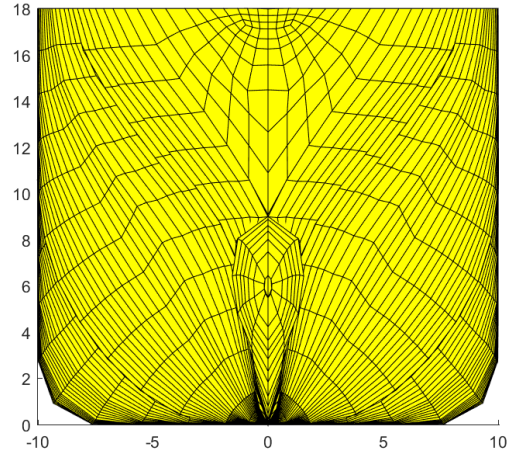
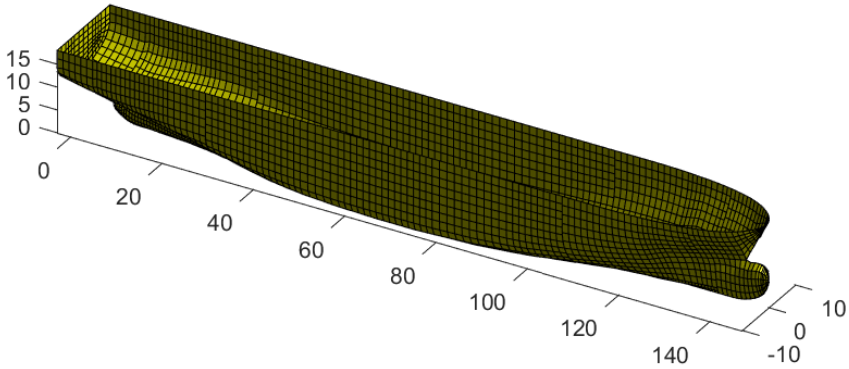
## 10 Passenger Vessel 1

Characterisation of Vessel for Wave Response Analysis	
Vessel Characteristics	Passenger Vessel 1
Hull Name	Passenger Vessel 1
Type	Passenger Vessel
LOA	267.4m
Beam	32.3m
Moulded Depth	26.3m
Longitudinal Profile	
Lateral Profile	
3D View	
Date	November 2016.

## 11 Passenger Vessel 2

Characterisation of Vessel for Wave Response Analysis	
Vessel Characteristics	Passenger Vessel 2
Hull Name	Passenger Vessel 2
Type	Passenger Vessel
LOA	347.8m
Beam	41.6m
Moulded Depth	24.7m
Longitudinal Profile	
Lateral Profile	
3D View	
Date	November 2016.

## 12 General Cargo 1

Characterisation of Vessel for Wave Response Analysis	
Vessel Characteristics	General Cargo 1
Hull Name	General Cargo 1
Type	General Cargo
LOA	150m
Beam	20m
Moulded Depth	18m
Longitudinal Profile	
Lateral Profile	
3D View	
Date	November 2016.